

# Electronic Tray Carts

## ASSEMBLY INSTRUCTIONS

### CAUTION

INSPECT CONTENTS IMMEDIATELY AND FILE CLAIM WITH DELIVERING CARRIER FOR ANY DAMAGE. **SAVE YOUR BOX AND ALL PACKING MATERIALS.** YOU ARE RESPONSIBLE FOR DAMAGE TO YOUR UNIT IF RETURNED IMPROPERLY PACKED.

### Parts List

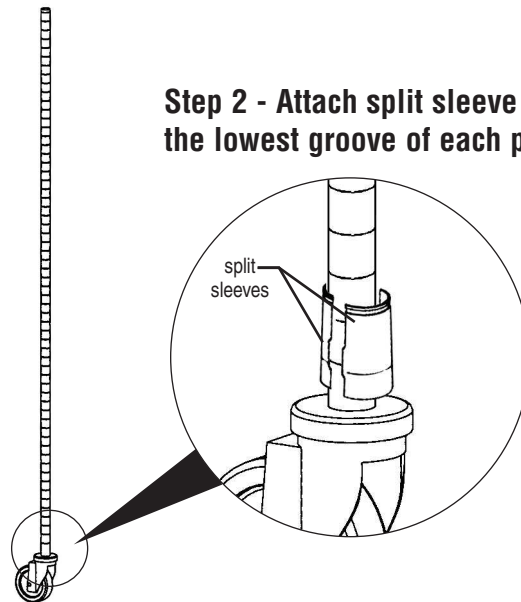
Item #	qty	part number	description
1	2	2130C	21" x 30" chrome shelf
2	4	CP63-C	63" chrome post
3	2	*	slides
4	2	A200079	swivel caster
5	2	A200080	swivel caster w/brake
6	8	A208909	aluminum split sleeve
7	8	A200021	retaining ring

\* Part number of slides vary, depending on slide spacing.

### Step 1 - Attach caster to bottom of each post.

Note: the bottom is the end without a black cap.

### Step 2 - Attach split sleeve to the lowest groove of each post.



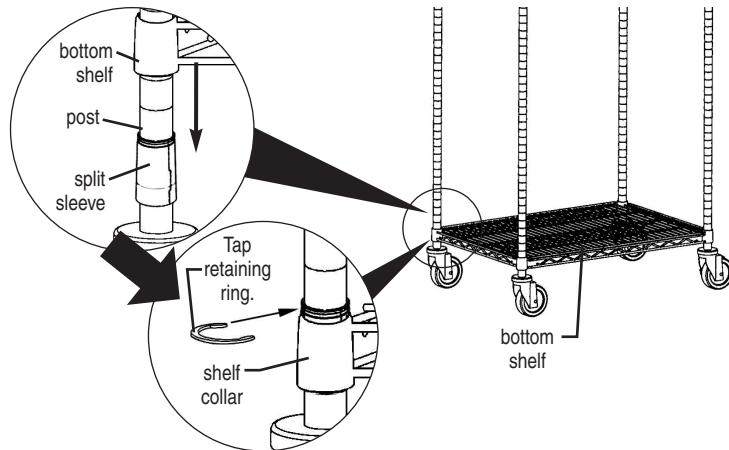
**(continued on back page)**

# Electronic Tray Carts

## ASSEMBLY INSTRUCTIONS

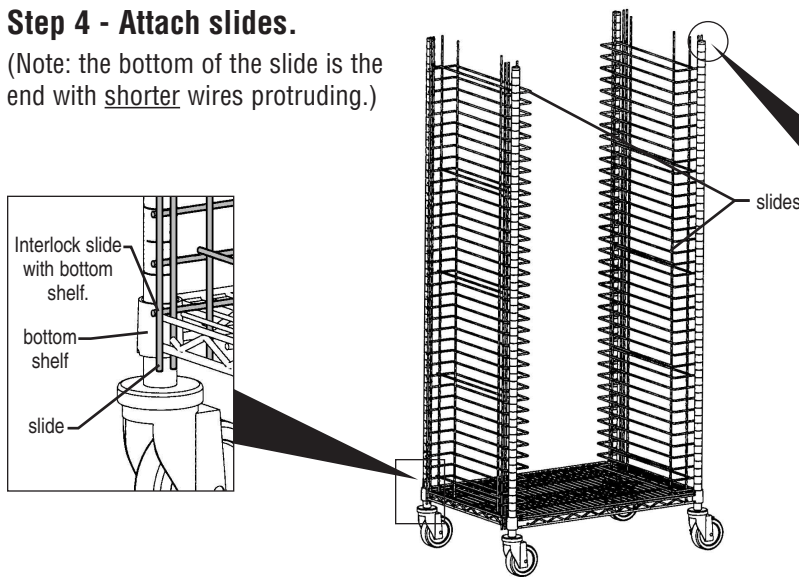
### Step 3 - Attach bottom shelf to posts.

With a rubber mallet or a piece of wood and a hammer, gently tap shelf until top of split sleeve groove is showing.

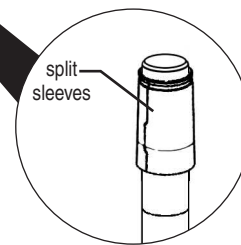


### Step 4 - Attach slides.

(Note: the bottom of the slide is the end with shorter wires protruding.)

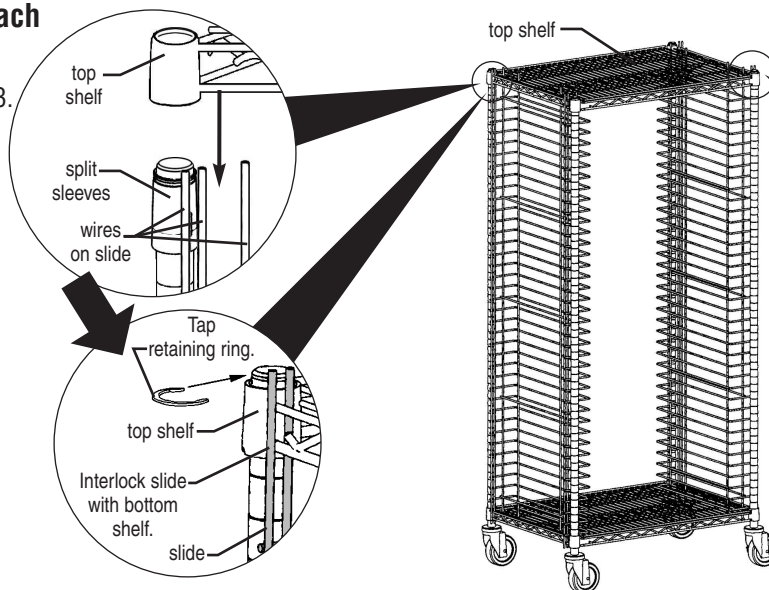


### Step 5 - Attach split sleeve to top groove of each post.

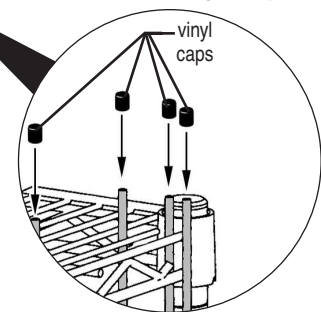


### Step 6 - Attach top shelf.

Refer to Step 3.



### Step 7 - Cover top wires with round vinyl caps.



Assembly is complete.

(End)