



Profit from the Eagle Advantage®

# Specification Sheet

## Short Form Specifications

Models designed to facilitate 7" and 13"-15" reels. Footprint of 18" width x 36" length, with EAGLEbrite® zinc plating. Shelf capacity of (78) 7" reels and (15) 13"-15" reels. 9 gauge divider mat wires. Shelf adjustable on 1" increments.

|              |       |
|--------------|-------|
| Item No.:    | _____ |
| Project No.: | _____ |
| S.I.S. No.:  | _____ |

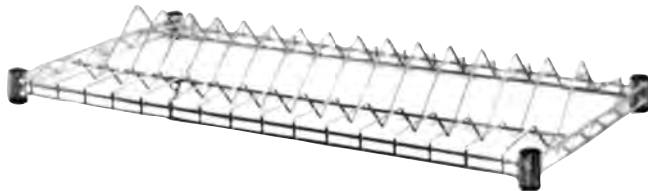
## Reel Shelves

### MODELS:

- R1836Z-7
- R1836Z-13



#R1836Z-7 reel shelf



#R1836Z-13 reel shelf

### Design and Construction Features

- Two models available for holding either (78) 7" (178mm)-diameter reels or (15) 13" to 15" (330 to 381mm)-diameter reels.
- 9 gauge wire for the mat and 6 gauge wire for the cradle and trusses.
- EAGLEbrite® zinc-plated shelving.
- Both shelves feature 36" (914mm) length and 18" (457mm) width.

### EAGLE GROUP

100 Industrial Boulevard, Clayton, DE 19938-8903 USA

Phone: 302-653-3000 • Fax: 302-653-2065

www.eaglegrp.com

Foodservice Division: Phone 800-441-8440

MHC/Retail Display Divisions: Phone 800-637-5100

For custom configuration or fabrication needs, contact our SpecFAB® Division.

Phone: 302-653-3000 • Fax: 302-653-3091 • e-mail: specfab@eaglegrp.com

EG07.06 Rev. 04/12

Spec sheets available for viewing, printing or downloading from our online literature library at [www.eaglegrp.com](http://www.eaglegrp.com)

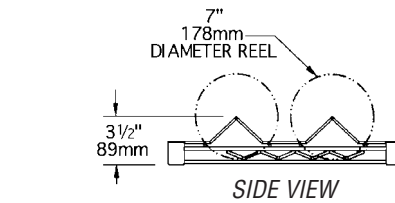
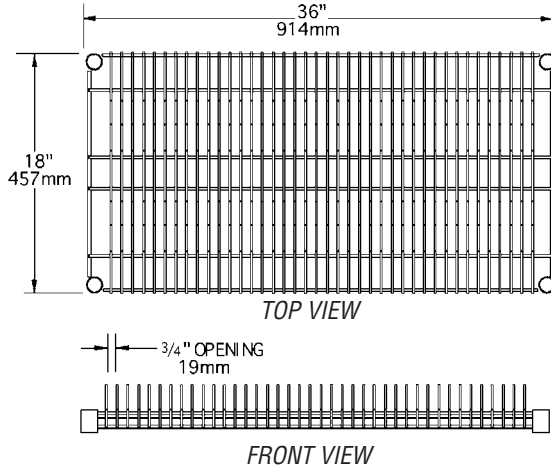
Eagle Foodservice Equipment, Eagle MHC, SpecFAB®, and Retail Display are divisions of Eagle Group. ©2012 by the Eagle Group



Item No.: \_\_\_\_\_  
 Project No.: \_\_\_\_\_  
 S.I.S. No.: \_\_\_\_\_

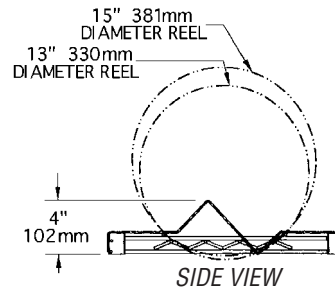
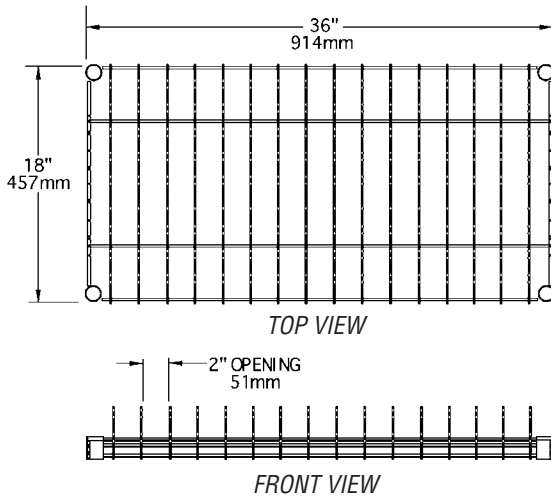
## Reel Shelves

### Model #R1836Z-7



| model #  | width |     | length |     | weight |     | open space for each reel |    | capacity               |
|----------|-------|-----|--------|-----|--------|-----|--------------------------|----|------------------------|
|          | in.   | mm  | in.    | mm  | lbs.   | kg  | in.                      | mm |                        |
| R1836Z-7 | 18"   | 457 | 36"    | 914 | 10     | 4.5 | 3/4"                     | 19 | (78) 7"-diameter reels |

### Model #R1836Z-13



| model #   | width |     | length |     | weight |     | open space for each reel |    | capacity                        |
|-----------|-------|-----|--------|-----|--------|-----|--------------------------|----|---------------------------------|
|           | in.   | mm  | in.    | mm  | lbs.   | kg  | in.                      | mm |                                 |
| R1836Z-13 | 18"   | 457 | 36"    | 914 | 9      | 4.1 | 2"                       | 51 | (15) 13"- to 15"-diameter reels |

**EAGLE GROUP**  
 100 Industrial Boulevard, Clayton, DE 19938-8903 USA  
 Phone: 302-653-3000 • Fax: 302-653-2065  
 www.eaglegrp.com

Foodservice Division: Phone 800-441-8440  
 MHC/Retail Display Divisions: Phone 800-637-5100

Printed in U.S.A.  
 ©2012 by Eagle Group  
 Rev. 04/12

Spec sheets available for viewing, printing or downloading from our online literature library at [www.eaglegrp.com](http://www.eaglegrp.com)

Although every attempt has been made to ensure the accuracy of the information provided, we cannot be held responsible for typographical or printing errors. Information and specifications are subject to change without notice. Please confirm at time of order.